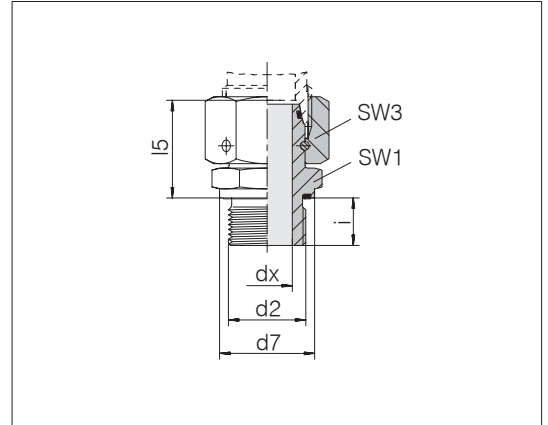


Swivel connectors

With taper and O-ring
fit in bore type W DIN 3861/ISO 8434-1

Male thread: Metric fine thread, cylindrical
Threaded stud: ISO 9974-2 Form E
Sealing type: Profile sealing ring PEFLEX
Sealing material: Standard NBR

Standard O-ring material (DKO) is FKM



Series	d2	Pressure	d7	dx	l5	SW1	SW3	i	Nm -10 %	kg/100 ca.	Order-No.	Designation
L 6	G 1/8 A	PN 500	13.9	2.5	24.5	14	14	8	20	2.6	1165032000	24-SWOSDS-L6-G1/8E ¹⁾
L 8	G 1/8 A	PN 500	13.9	4	24	14	17	8	20	3.3	1197392000	24-SWOSDS-L8-G1/8E
L 8	G 1/4 A	PN 500	18.9	4.5	29.5	19	17	12	50	5.7	1165082000	24-SWOSDS-L8-G1/4E ¹⁾
L 10	G 1/4 A	PN 500	18.9	6	27.5	19	19	12	50	5.6	1165132000	24-SWOSDS-L10-G1/4E ¹⁾
L 10	G 3/8 A	PN 400	21.9	6	28	22	19	12	80	7.3	1197212000	24-SWOSDS-L10-G3/8E
L 10	G 1/2 A	PN 400	26.9	6	28.5	27	19	14	100	9.8	1198302000	24-SWOSDS-L10-G1/2E
L 12	G 1/4 A	PN 500	18.9	6	27.5	19	22	12	50	6.9	1197572000	24-SWOSDS-L12-G1/4E
L 12	G 3/8 A	PN 400	21.9	8	34	22	22	12	80	9.6	1165182000	24-SWOSDS-L12-G3/8E ¹⁾
L 12	G 1/2 A	PN 400	26.9	8	32	27	22	14	100	11.8	1198402000	24-SWOSDS-L12-G1/2E
L 15	G 3/8 A	PN 400	21.9	9	32.5	22	27	12	80	11.6	1198562000	24-SWOSDS-L15-G3/8E
L 15	G 1/2 A	PN 400	26.9	10	32	27	27	14	100	14.1	1165232000	24-SWOSDS-L15-G1/2E ¹⁾
L 15	G 3/4 A	PN 250	31.9	10	30.5	32	27	14	100	15.4	1197032000	24-SWOSDS-L15-G3/4E
L 18	G 1/2 A	PN 400	26.9	13	31.5	27	32	14	100	14.4	1165282000	24-SWOSDS-L18-G1/2E ¹⁾
L 18	G 3/4 A	PN 250	31.9	13	31.5	32	32	16	180	17.2	1198652000	24-SWOSDS-L18-G3/4E
L 22	G 1/2 A	PN 250	26.9	14	32	27	36	14	100	17.1	1198662000	24-SWOSDS-L22-G1/2E
L 22	G 3/4 A	PN 250	31.9	17	32.5	32	36	16	180	20.1	1165332000	24-SWOSDS-L22-G3/4E ¹⁾
L 28	G 3/4 A	PN 250	31.9	17	35	32	41	16	180	23.5	1197012000	24-SWOSDS-L28-G3/4E
L 28	G 1 A	PN 250	39.9	22	35	41	41	18	230	29.3	1165382000	24-SWOSDS-L28-G1E ¹⁾
L 35	G 1 1/4 A	PN 250	49.9	28	42.5	50	50	20	330	50.9	1165432000	24-SWOSDS-L35-G1 1/4E ¹⁾
L 42	G 1 1/2 A	PN 250	54.9	34	46.5	55	60	22	500	72.2	1165482000	24-SWOSDS-L42-G1 1/2E ¹⁾

¹⁾ Standard size

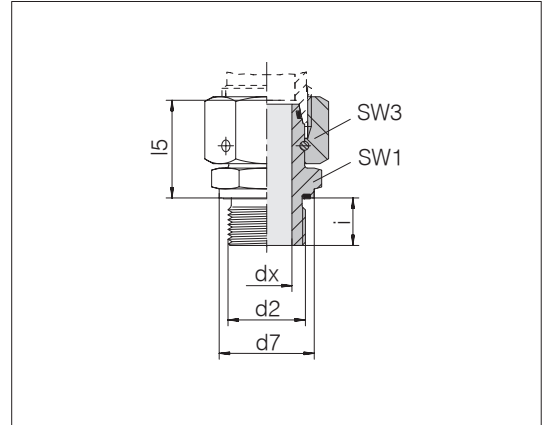
Example for comp. :
EGE06LRED
ISO 8434-1-SWOSDS-L6x1/8A-E-St

Swivel connectors

With taper and O-ring
fit in bore type W DIN 3861/ISO 8434-1

Male thread: Metric fine thread, cylindrical
Threaded stud: ISO 9974-2 Form E
Sealing type: Profile sealing ring PEFLEX
Sealing material: Standard NBR

Standard O-ring material (DKO) is FKM



Series Tube OD	d2	Pressure	d7	dx	l5	SW1	SW3	i	Nm -10 %	kg/100 ca.	Order-No.	Designation
S 6	G 1/4 A	PN 800	18.9	2.5	27	19	17	12	60	5.4	1165532000	24-SWOSDS-S6-G1/4E ¹⁾
S 8	G 1/4 A	PN 800	18.9	4	29.5	19	19	12	60	6.4	1165582000	24-SWOSDS-S8-G1/4E ¹⁾
S 10	G 1/4 A	PN 800	18.9	5	32	19	22	12	60	8.7	1197512000	24-SWOSDS-S10-G1/4E
S 10	G 3/8 A	PN 800	21.9	6	32	22	22	12	90	9.4	1165632000	24-SWOSDS-S10-G3/8E ¹⁾
S 12	G 1/4 A	PN 630	18.9	5	30	19	24	12	60	7.9	1198582000	24-SWOSDS-S12-G1/4E
S 12	G 3/8 A	PN 630	21.9	8	34	22	24	12	90	10.0	1165682000	24-SWOSDS-S12-G3/8E ¹⁾
S 12	G 1/2 A	PN 630	26.9	8	35.5	27	24	14	150	14.4	1198572000	24-SWOSDS-S12-G1/2E
S 14	G 1/2 A	PN 630	26.9	9	36.5	27	27	14	150	16.4	1165732000	24-SWOSDS-S14-G1/2E ¹⁾
S 16	G 1/2 A	PN 630	26.9	11	37	27	30	14	150	17.1	1165782000	24-SWOSDS-S16-G1/2E ¹⁾
S 16	G 3/4 A	PN 420	31.9	11	39.5	32	30	16	200	24.4	1197772000	24-SWOSDS-S16-G3/4E
S 20	G 1/2 A	PN 420	26.9	12	43	27	36	14	150	21.2	1198312000	24-SWOSDS-S20-G1/2E
S 20	G 3/4 A	PN 420	31.9	14	43	32	36	16	200	27.2	1165832000	24-SWOSDS-S20-G3/4E ¹⁾
S 25	G 3/4 A	PN 420	31.9	16	48	32	46	16	200	39.7	1196482000	24-SWOSDS-S25-G3/4E
S 25	G 1 A	PN 420	39.9	18	48	41	46	18	250	50.6	1165882000	24-SWOSDS-S25-G1E ¹⁾
S 30	G 1 A	PN 420	39.9	18	51.5	41	50	18	250	54.4	1197412000	24-SWOSDS-S30-G1E
S 30	G 1 1/4 A	PN 420	49.9	23	51	50	50	20	500	68.5	1165932000	24-SWOSDS-S30-G11/4E ¹⁾
S 38	G 1 1/4 A	PN 420	49.9	25	54.5	50	60	22	600	78.9	1197362000	24-SWOSDS-S38-G11/4E
S 38	G 1 1/2 A	PN 420	54.9	30	60	55	60	22	600	95.5	1165982000	24-SWOSDS-S38-G11/2E ¹⁾

¹⁾ Standard size